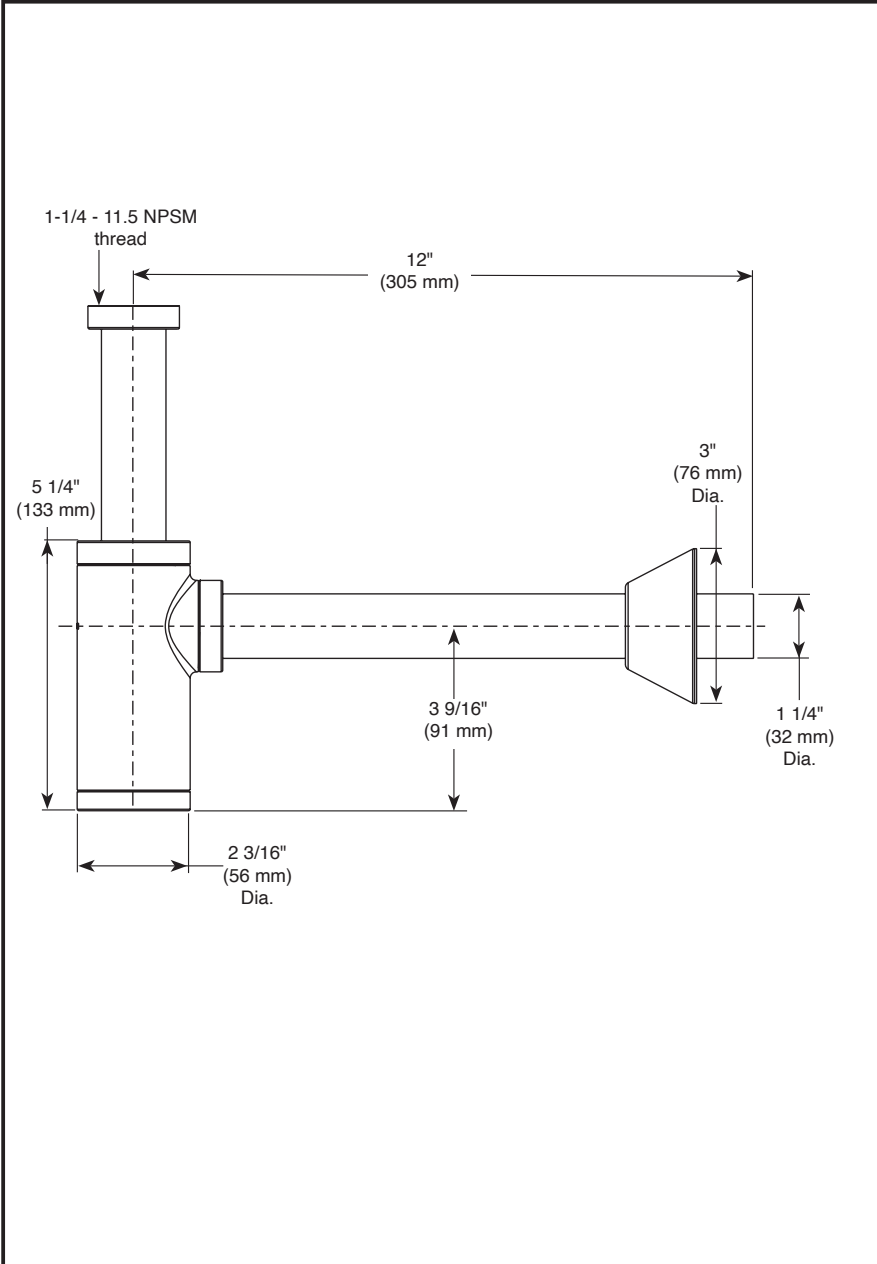


Submitted Model No.: \_\_\_\_\_

Specific Features: \_\_\_\_\_



▲ Designate proper finish suffix

Delta reserves the right (1) to make changes in specifications and materials, and (2) to change or discontinue models, both without notice or obligation. Dimensions are for reference only. See current full-line price book or [www.deltafaucet.com](http://www.deltafaucet.com) for finish options and product availability.

DSP-A-DT041141 Rev. A



see what Delta can do<sup>SM</sup>

## ACCESSORIES

### ■ Bottle-Trap

#### STANDARD SPECIFICATIONS:

- Finished to match Delta products
- Brass construction
- 12" straight arm
- Escutcheon included
- Removable cleanout cover

#### WARRANTY

- Parts and Finish - Lifetime limited warranty; or for commercial purchasers, 10 years for multi-family residential (apartments and condominiums) and 5 years for all other commercial uses, in each case from the date of purchase.
- Electronic Parts and Batteries (if applicable) - 5 years from the date of purchase; or for commercial purchasers, 1 year from the date of purchase. No warranty is provided on batteries.

#### COMPLIES WITH:

- ASME A112.18.2 / CSA B125.2

#### Delta Faucet Company

55 E. 111th Street, Indianapolis, Indiana 46280  
 350 South Edgeware Road, St. Thomas, Ontario Canada N5P 4L1  
 © 2022 Delta Faucet Company